

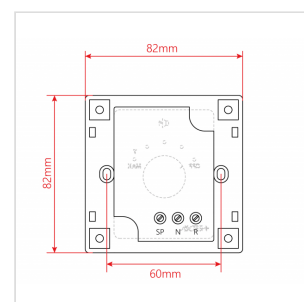
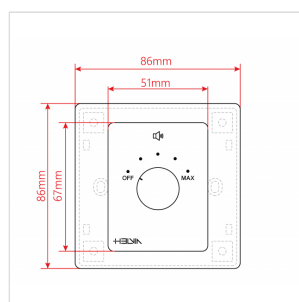
MURA 205

5W VOLUME ATTENUATOR FOR 70-100V SPEAKERS, 4 POSITIONS + OFF

The MURA 2 Serie in-wall Volume Controllers offers a range of volume attenuators for 70V and 100V audio systems and are designed to be recessed in 82x82x48mm wall boxes (supplied). They allow control of the volume with, respectively, 4 positions + off for MURA 205, and 11 positions + off for MURA 210/230/260. The max. nominal powers range from 2.5W to 30W in case of 70V lines; and 5W to 60W for 100V lines.

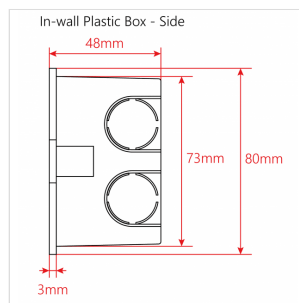
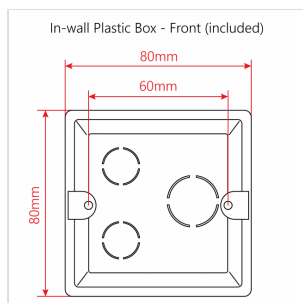
Each position attenuates the overall level from 5dB to 10dB, depending on the model. MURA 210/230/260 provide, in addition to the normal 70-100V audio line, the 70-100V auxiliary line at maximum level (the attenuation does not operate in this case but passes the whole signal to the speaker) and the 24V relay input for switching between normal and auxiliary line in case of alarm.

MURA 2 Series volume controllers are supplied with the front cover plate (white) and the in-wall box.



MURA 205

5W VOLUME ATTENUATOR FOR 70-100V SPEAKERS, 4 POSITIONS + OFF



MURA 205

5W VOLUME ATTENUATOR FOR 70-100V SPEAKERS, 4 POSITIONS + OFF

PRODUCT DETAILS

KEY FEATURES

70V and 100V Constant Voltage Audio Line Operation

4 Positions (10dB attenuation) + Off

Front Cover Included (White)

In-Wall Mount Box Included

SPECIFICATIONS

Nominal Power @ 100V	5W
Nominal Power @ 70V	2,5W
Control	4 Positions + Off
Step Attenuation	10dB
Total Attenuation	40dB
In-Wall Mount Box	80 x 80 x 48 mm (Included) - 3.15 x 3.15 x 1.89 in
Front Cover	White (Included)
Dimensions	82 x 30 (max.) x 82 mm - 3.23 x 1.18 (max.) x 3.23 in
Net Weight	80 g - 0.18 lbs.
Packing Size	87 x 45 x 87 mm - 3.42 x 1.77 x 3.42 in
Gross Weight	110 g - 0.24 lbs.