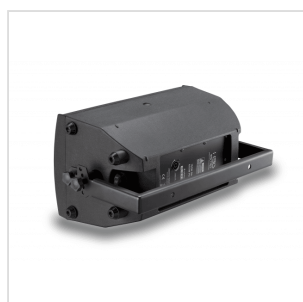
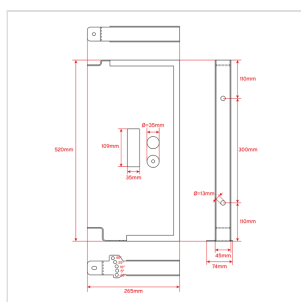


ESTRO 8P BRACKET WALL-MOUNT BRACKET FOR ESTRO 8P AND HYPER TOP 8 ACTIVE/PASSIVE

Suitable for HELVIA ESTRO 8P, SOUNDSATION HYPER TOP 8A and SOUNDSATION HYPER TOP 8P



ESTRO 8P BRACKET

WALL-MOUNT BRACKET FOR ESTRO 8P AND HYPER TOP 8 ACTIVE/PASSIVE



PRODUCT DETAILS

KEY FEATURES

Horizontal Position with Angle Adjustment; Fixed Vertical Position.

Angle Adjustment (Horizontal Loudspeaker): 5 Positions with Max 60° (-40°, -25°, -10°, +5°, +20°)

Load Capacity: 40kg

Strong construction with 2.5 mm thickness steel

SPECIFICATIONS

Bracket Size (WxDxH)	522 x 261 x 75 mm
Bracket Weight	1,53 kg
Bracket + Accessories Weight	2,4 kg
Carton Size (WxDxH)	533 x 283 x 95 mm
Packing Weight	2,8 kg