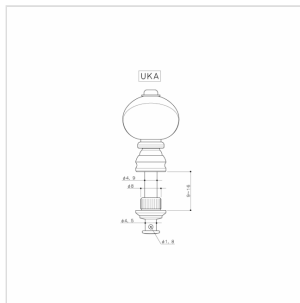


UKA-3W-N

UKULELE MACHINE HEADS SET (NICKEL)

Gotoh Machine Head for Ukulele in very light aluminum with nickel finish, combined with the particular construction material used tends to minimize the movement of the shaft ensures a better seal and therefore more stable and long-lasting tuning.



UKA-3W-N

UKULELE MACHINE HEADS SET (NICKEL)

PRODUCT DETAILS

KEY FEATURES

Peg manufactured in "RES-O-LITE"™, material resulting in a much better balanced instrument due to less weight on the headstock.

Pearl Vintage Buttons

SPECIFICATIONS

Finishes	Nickel
Gear ratio	1:1