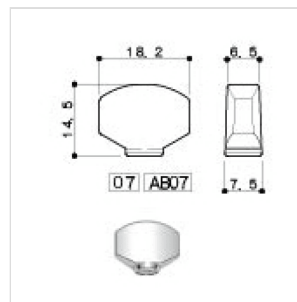
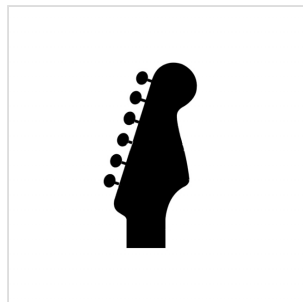
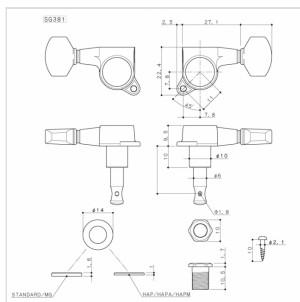


SG-381-07-GG-L6

ELECTRIC AND ACOUSTIC GUITAR MACHINE HEADS, L6, GOLD

Gotoh Machine Heads has an excellent value for money. Ideal for acoustic and electric guitars



SG-381-07-GG-L6

ELECTRIC AND ACOUSTIC GUITAR MACHINE HEADS, L6, GOLD

PRODUCT DETAILS

KEY FEATURES

LUBRI COAT: With a "Solid Luburication Coat", regular oil has been eliminated keeping the lubrication where it is needed for the life of the tuning machine heads. it is now enhanced with a GOTOH original anti-transformable lubrication oil and this reduces the friction between the gears resulting an ultra smooth feel minimal back lash and unrivalled tuning stability.

ROCK SOLID: Anchoring system developed by Gotoh that prevents movements outside the central axis of the pin thereby promoting a greater stability of tuning.

Button: 07

Gear ratio: 1:16

String post: standard (6 mm x 22,2 mm)

Finish: gold

SPECIFICATIONS

Finishes	Chrome
Installation	R3 + L3
Gear ratio	1:16
Weight	36.0g/pcs
Button	01 GOLD