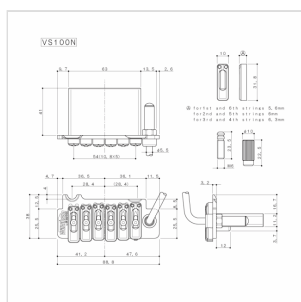


VS100N-HC-LH TREMOLO BRIDGE FOR ELECTRICAL GUITAR (LEFT)

Wilkinson By Gotoh tremolo bridge traditional design, great attention to detail and components. This bridge ensures high stability and intonation, ideal for guitarists who want to get the most from their instrument performance and security of intonation in every situation. Included accessories: lever, springs, anchor bolts.



VS100N-HC-LH

TREMOLO BRIDGE FOR ELECTRICAL GUITAR (LEFT)

PRODUCT DETAILS

KEY FEATURES

Steel Saddles

Included accessories: lever, springs, anchor bolts

Mechanics available with the same finish

SPECIFICATIONS

Finishes

Satin Chrome

String Space

10.8 mm

Stud lock-Pat