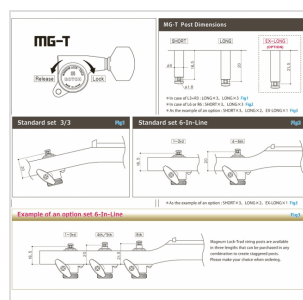
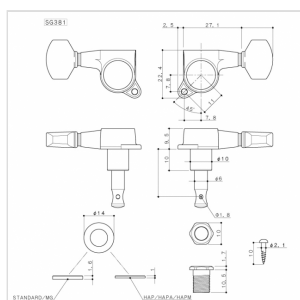


SG381MG-T 07 C L6

ELECTRIC GUITAR MACHINE HEADS, L6, MAGNUM LOCK SERIES, CHROME

Gotoh Machine Heads has an excellent value for money. Ideal for acoustic and electric guitar. Characterized by the automatic locking system of the strings, Magnum Lock T



SG381MG-T 07 C L6

ELECTRIC GUITAR MACHINE HEADS, L6, MAGNUM LOCK SERIES, CHROME

PRODUCT DETAILS

KEY FEATURES

LUBRI COAT: With a "Solid Luburication Coat", regular oil has been eliminated keeping the lubrication where it is needed for the life of the tuning machine heads. it is now enhanced with a GOTOH original anti-transformable lubrication oil and this reduces the friction between the gears resulting an ultra smooth feel minimal back lash and unrivalled tuning stability.

GOTOH MAGNUM LOCK is a self locking system by string tension and is a great asset when keeping vibrato-equipped guitars in tune without any string breaking and slipping off.

SPECIFICATIONS

Finishes	Chrome
Installation	L6
Gear ratio	1:16
Weight	38.8 g/pcs
Button	07 CHROME