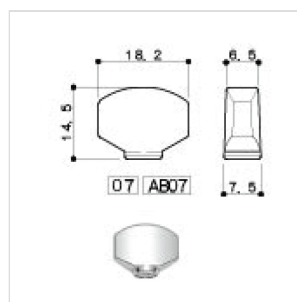
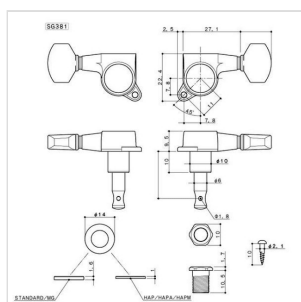


SG381-07-C-R6

ELECTRIC GUITAR MACHINE HEADS SET, R6, CHROME

Gotoh Machine Heads L6 ideal as a replacement for St and TI guitar style.



SG381-07-C-R6

ELECTRIC GUITAR MACHINE HEADS SET, R6, CHROME

PRODUCT DETAILS

KEY FEATURES

LUBRI COAT: With a "Solid Luburication Coat", reguler oil has been eliminated keeping the lubrication where it is needed for the life of the tuning machine heads. it is now enhanced with a GOTOH original anti-transformable lubrication oil and this reduces the friction between the gears resulting an ultra smooth feel minimal back lash and unrivalled tuning stability.

ROCK SOLID: Anchoring system developed by Gotoh that prevents movements outside the central axis of the pin thereby promoting a greater stability of tuning.

SPECIFICATIONS

Finishes	Chrome
Installation	R6
Gear ratio	1:16
Weight	36.0g/pcs
Button	07 chrome