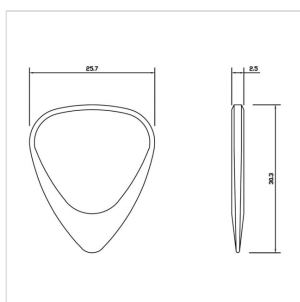


LASG-MT-4

# LASER TONES GRIP MIXED TIN OF 4 GUITAR PICKS

Laser Tones Grip are based upon the Classic 351 shape. They are typically 2.5mm thick chamfering down to a playing tip at 0.7mm thick. They then have a grip pattern etched with a laser on one side of the plectrum to give you an unbeaten grip. Thai Sindora is one of softest Timbers that we use and has very warm tones, which can help to add some warmth to the tone of most guitars. Macassar Ebony is one of hardest Timbers that we use and has very clear clean tones, which can help to add some brightness to the tone of most guitars. Almondwood is one of softest Timbers that we use and has very warm tones, which can help to add some warmth to the tone of most guitars. Bloodwood is one of hardest Timbers that we use and has very clear clean tones, which can help to add some brightness to the tone of most guitars.



LASG-MT-4

# LASER TONES GRIP MIXED TIN OF 4 GUITAR PICKS

## PRODUCT DETAILS

### KEY FEATURES

Material: Almondwood, Bloodwood, Macassar Ebony & Thai Sindora

Recommend for both Acoustic and Electric Guitar

Sindora and Almondwood: very warm tones; Macassar Ebony and Bloodwood: very clear clean tones

They have a grip pattern etched with a laser on one side of the plectrum to give you an unbeaten grip