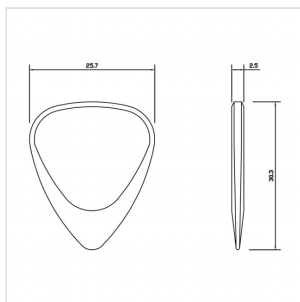


SUN-MT-4

# SUN TONES MIXED TIN OF 4 GUITAR PICKS

Sun Tones are based upon the Classic 351 shape. They are typically 2.5mm thick chamfering down to a playing tip at 0.7mm thick. They have an 8mm disc of shell in the Middle and are laser etched with a Sun Pattern for extra Grip. Sun Tones are made from 4 of our hardest Timbers and have very clear clean tones, which can help to add some brightness to the tone of most guitars.



SUN-MT-4

# SUN TONES MIXED TIN OF 4 GUITAR PICKS

## PRODUCT DETAILS

### KEY FEATURES

Material: Indian Chestnut, African Ebony, Macassar Ebony & Malay Ebony

Recommend Electric Guitar & Archtop Jazz Guitar

Very clear clean tones

Add some brightness to the tone of most guitars