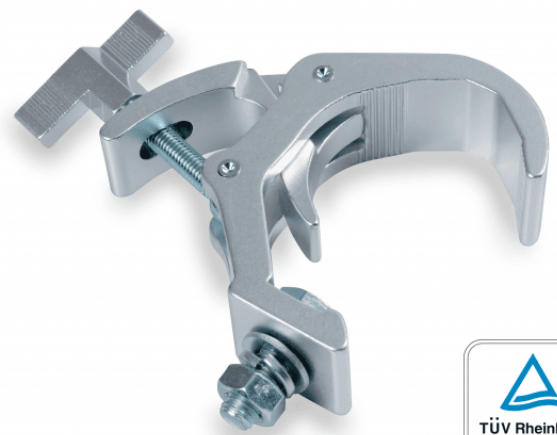


CLCR- 60100S

ALUMINIUM QUICK RELEASE CLAMP 38 - 60 MM 100 KG

Clamp for trusses with sections between 38 and 60 mm. Quick release Maximum load 100 kg.



CLCR- 60100S

ALUMINIUM QUICK RELEASE CLAMP 38 - 60 MM 100 KG

PRODUCT DETAILS

KEY FEATURES

SPECIFICATIONS

Safe working load	100 kg
Fit tube Dimeter	Ø38-60 mm
Material	Aluminum
Surface Treatment	Polishing
Color	Alluminium
Quick Release	Yes
TUV Certified	Yes