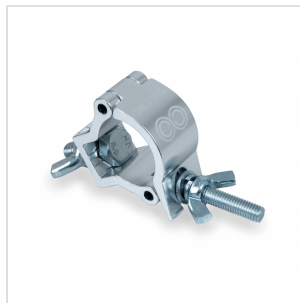
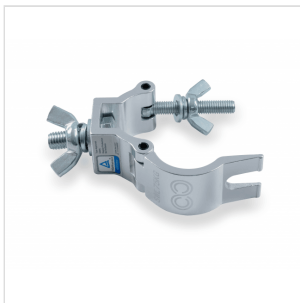
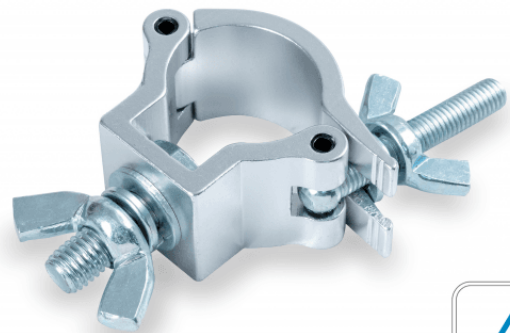


CLC-3575S

ALUMINIUM CLAMP 31-35 MM 75 KG

Clamp for trusses with sections between 31 and 35 mm.
Maximum load 75 kg.



CLC-3575S

ALUMINIUM CLAMP 31-35 MM 75 KG

PRODUCT DETAILS

KEY FEATURES

SPECIFICATIONS

| | |
|-------------------|-------------|
| Safe working load | 75 kg |
| Fit tube Dimeter | Ø31 - 35 mm |
| Material | Aluminum |
| Surface Treatment | Polishing |
| Color | Alluminium |
| TUV Certified | Yes |