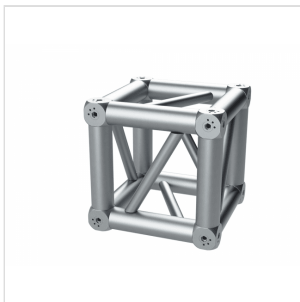
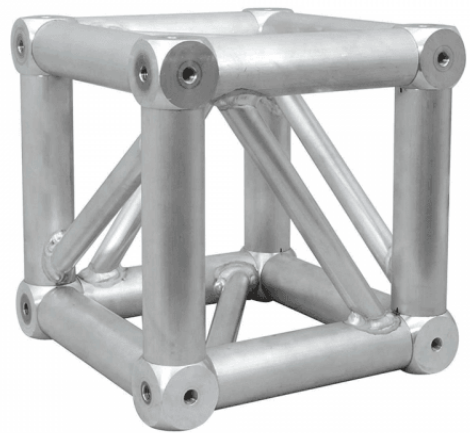


29CUBP**CUBO CORNER. 29 CM SQUARED TRUSS. 29 P SERIES.
SILVER**

Multiple connection cube with eight aluminium trussing sockets,
29 cm per side. Made of 50 mm diameter and 2 mm thick tube.
With connections at the four corners. Colour silver. G SERIES



29CUBP

CUBO CORNER. 29 CM SQUARED TRUSS. 29 P SERIES. SILVER

PRODUCT DETAILS

KEY FEATURES

Available in silver or black.

Other colours available on request.

Compatible with truss EC 29 E.

Connections included.

SPECIFICATIONS

Main tube cross-section	50 x 2 mm
Main tube	alloy EN AW 6082T6
Cross sectional area	12,06 cm ²
Connection System	CBC50E
Height	290 mm
Width	290 mm
Depth	290 mm
Weight	10.5 kg
Color	Silver